

General Inspection & Maintenance

To ensure reliability and consistent performance, we recommend regular preventative steps be taken

Cleaning

Removal of dirt is key. We recommend regular cleaning if used on a dirt surface. Water and a strong-bristle brush is ideal to remove build-up of dirt. Use compressed air to dry. If cleaning a strut, make sure to re-grease the outer tube bushes.

Caution for cleaning

- If soap is required, only use soft detergent, as strong detergent will damage the surface finish, and can reduce the life of the damper. Rinse with clean water.
- Steam/pressure washers may cause damage to external seals.
- Thinner/brake cleaner will dry out rubber components and also cause damage.
- Do not spray water into rubber components

General Inspection Points

- 1) Visual check for obvious signs of leaking
- 2) Check external body and spring for deformation
- 3) Check external rubber seals for damage
- 4) Check mounting points for excessive play and wear
- 5) Check for grease in outer tube every 50 - 100 km (*twin-tube strut*)
- 6) Check stub axle and surrounding area for any obvious signs of damage - cracks, deformation, pitting etc.

If in doubt contact us before installation

- 7) **Key Top Mount Installation Points**
 - Tighten both nuts to **30Nm** on *strut*
 - Tighten adjuster bolt to **30Nm** on *shock*
 - **DO NOT USE IMPACT GUN TO INSTALL**

! WARNING!

Contains Compressed Nitrogen

Do not alter gas pressure. Loss in gas pressure will result in reduced performance.

Contains Hazardous Liquid

Liquid kept under pressure. Keep unit sealed at all times.

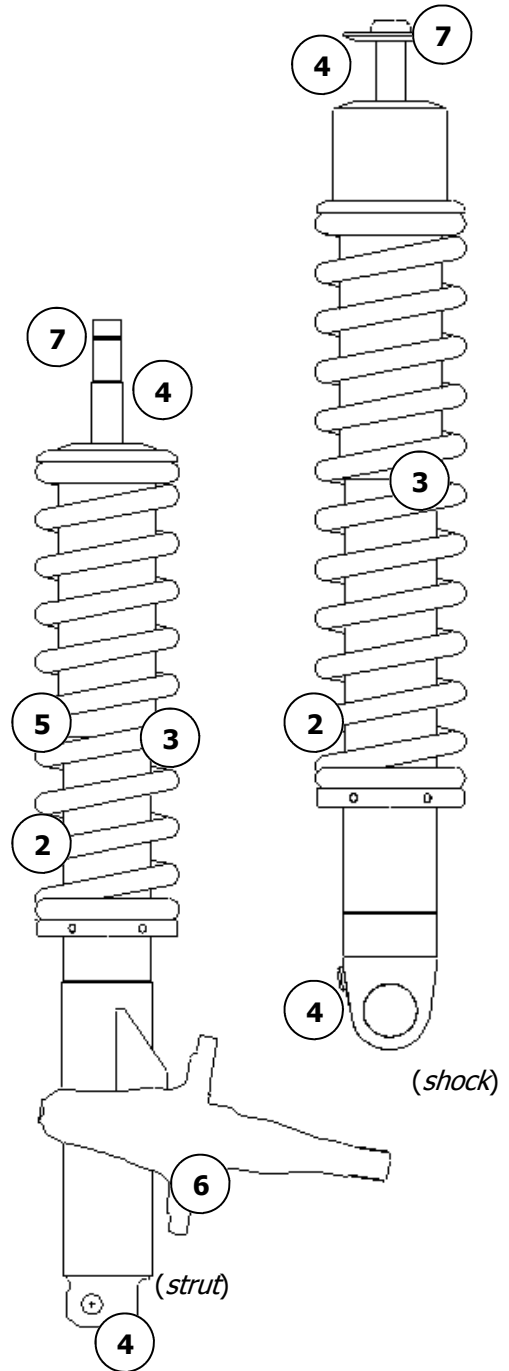
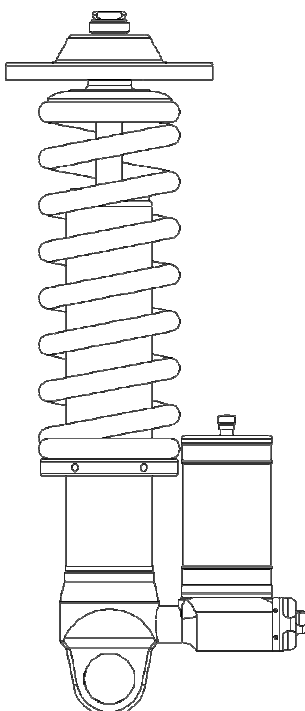
Installation and Servicing

Not recommended. Needs to be carried out at an approved EXE-TC service centre.

After Inspection

We recommend checking the settings. Refer to the setup sheet provided for more information.

Contact EXE-TC with any queries.



Service Intervals

Guideline for time between servicing
Times may vary depending on conditions

Regular Street use	Every 30,000km
Hard Circuit use	1 season
Tarmac Rally	1 season
Gravel Rally	½ - 1 season

EXE-TC LTD

2 Omega Centre, Bittern Road
Sowton Ind Est, Exeter
Devon, EX2 7LT, UK
tel: +44 (0)1392 444490
email: sales@exe-tc.co.uk